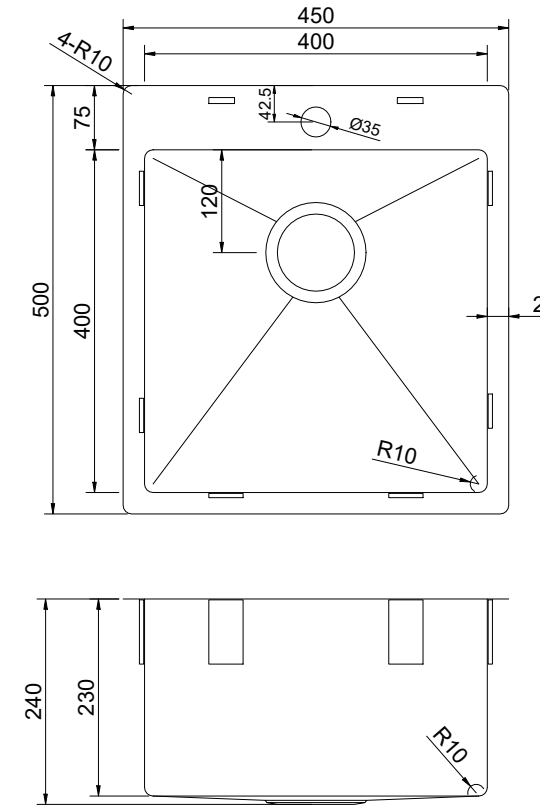


Trabia 35L.

Utility Sink With Tap Landing

Features:

- Manufactured from 1,2mm 304 Stainless Steel
- Brushed Satin Finish
- Tap Landing With One Taphole
- R10 Internal Radius Corners
- Underbowl Protective Coating
- Top Mount Installation
- 10 Year Product Replacement Warranty



Vellano[™]
Get Inspired

Specifications



Available in:



Brushed Satin
SSTRATL35

Cleaning & Care:

- After cleaning the sink, ensure the surface is rinsed with clean water.
- Wipe the surface gently with a clean, soft cloth and dry after use.
- Avoid using abrasive cleaners, steel wool scourers, brushes, citric based cleaners.
- To remove any spots left from contaminants, such as surface rust spots, we recommend cleaning the surface with Hillmark Steel Power cream. Rub on the surface with a soft close and use circular motion to remove any spots.

While we make every effort to provide accurate specifications at the time of publication, Vellano retains the right to make modifications without prior notice. Please note that the physical color of the product may vary from the image shown. All measurements are presented in millimeters. For stainless steel products, we kindly ask you to allow for a manufacturing variance of up to ± 2 mm. When marking up and roughing in, always refer to the physical product measurements, as technical drawings may differ from the actual physical products.

