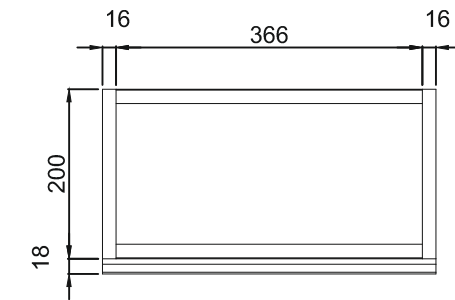
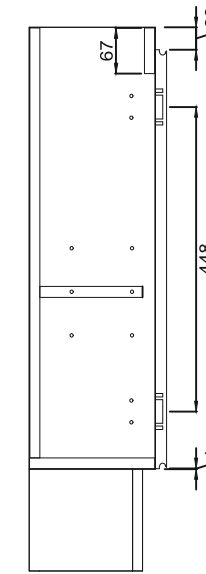
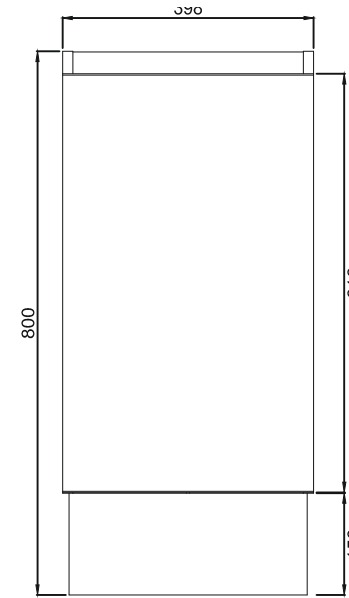
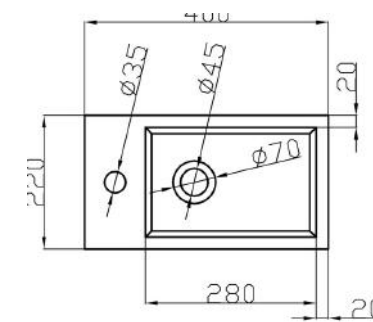


TIROLO 400.

400mm Ensuite Vanity On Kicker

Features:

- Cabinet Manufactured from HMR E1 Board, MDF
- Polymarble 70mm Top with Bowl One Tap Hole
- Soft Close Door , Finger Pull, Reversible
- Gloss White Painted Finish - Cabinet
- Floor Mounted, removable kicker
- 5 Year Product Warranty
- Dimensions: 400mm x 220mm x870mmH



Vellano[™]
Get Inspired

Specifications

Available in:



Gloss White
TIR400KRWH

Cleaning & Care:

- Wipe the surface gently with a clean, soft cloth to remove everyday smudges and stains. For general cleaning, use a mixture of mild dish soap and warm water and with a soft cloth for the top.
- If there are stubborn stains or grime, use a non-abrasive bathroom cleaner that is safe for the surface material. Rinse the surface thoroughly with water after using the cleaner, and dry it with a soft cloth.
- Ensure any water on the cabinet surface is removed as soon as possible and dried with a soft cloth. Make sure the cabinet is not positioned where it is exposed to water.

While we make every effort to provide accurate specifications at the time of publication, Vellano retains the right to make modifications without prior notice. Please note that the physical color of the product may vary from the image shown. All measurements are presented in millimeters. For ceramic products, we kindly ask you to allow for a manufacturing variance of up to ± 10 mm. When marking up and roughing in, always refer to the physical product measurements, as technical drawings may differ from the actual physical products.

