

Ruvo 400.

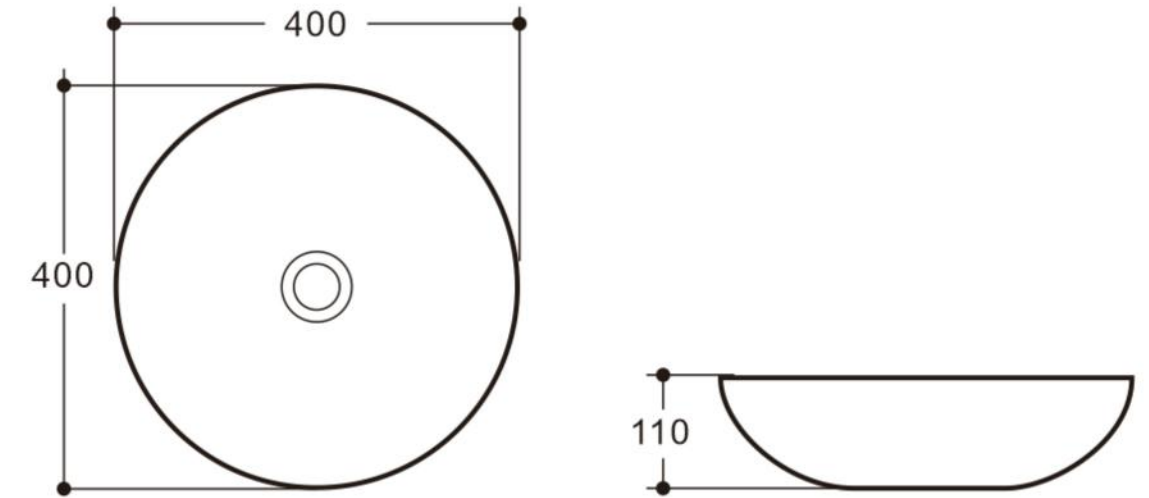
Above Counter Basin



Specifications

Features:

- Manufactured from Vitreous China
- Round Above Counter Basin
- Above Counter Installation Type
- Suits Basin Tower Mixer or Wall Basin Mixers
- Thin Basin Edge Design
- No Taphole or Overflow
- 32mm Waste Not Included
- 5 Year Product Replacement Warranty



Additional Items:



Ubeda Pop Up Waste
Chrome
UBE-CH



Ubeda Pop Up Waste
Black
UBE-BL

Available in:



Gloss White
RUV400AVB



Matte White
RUV400AVB-MW

Cleaning & Care:

- Wipe the surface gently with a clean, soft cloth to remove everyday smudges and stains. For general cleaning, use a mixture of mild dish soap and warm water and with a soft cloth
- If there are stubborn stains or grime, use a non-abrasive bathroom cleaner that is safe for the surface material. Rinse the surface thoroughly with water after using the cleaner, and dry it with a soft cloth.
- To prevent discoloration and damage, avoid placing hot items like hair straighteners. Quickly wipe off any spills of hair dyes, aftershave lotion, nail polish, remover, aerosol spray, or other harsh chemicals to prevent damage and discoloration.

While we make every effort to provide accurate specifications at the time of publication, Vellano retains the right to make modifications without prior notice. Please note that the physical color of the product may vary from the image shown. All measurements are presented in millimeters. For ceramic products, we kindly ask you to allow for a manufacturing variance of up to ± 10 mm. When marking up and roughing in, always refer to the physical product measurements, as technical drawings may differ from the actual physical products.

