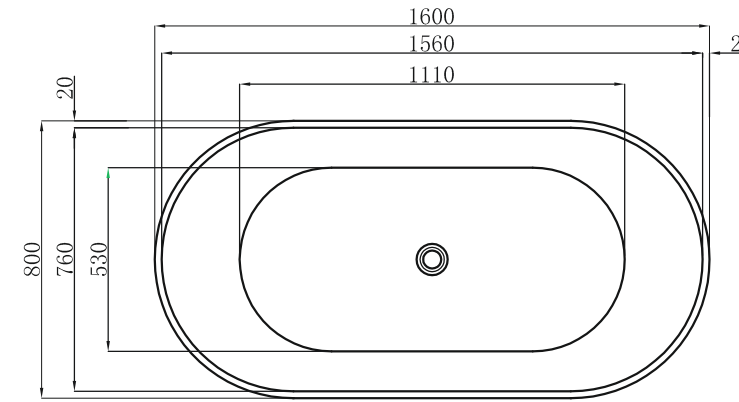


Polino.

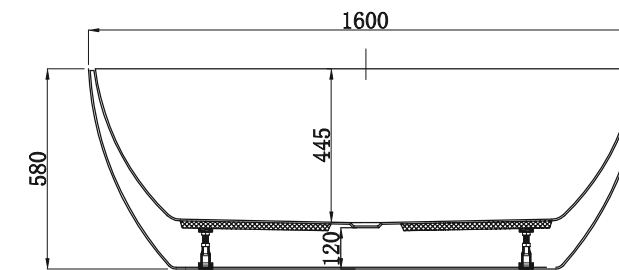
1600mm Freestanding Bath

Features:

- Bath manufactured from 100% Lucite Crosslinked Acrylic Sheet
- Gloss White Finish
- High Resistance to UV and Chemical Exposure
- Complete with Heavy Duty Robust Frame with adjustable levelling feet
- Limited long term colour fading from hot and cold water cycling over 60 degrees
- 20mm thin edge
- 25 Year Product Warranty
- Gross Weight: 51KG
- Litre Capacity: 303L



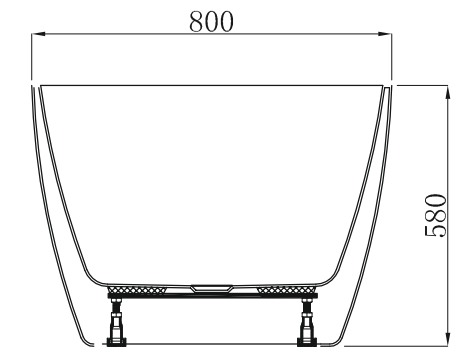
Top View



Front View

Vellano[™]
Get Inspired

Specifications



Side View



Available in:



Gloss White
POL1600FB



LUCITE[®]
The source of inspiration

Cleaning & Care:

- Wipe the surface gently with a clean, soft cloth to remove everyday smudges and stains. For general cleaning, use a mixture of mild dish soap and warm water and with a soft cloth for the top.
- If there are stubborn stains or grime, use a non-abrasive bathroom cleaner that is safe for the surface material. Rinse the surface thoroughly with water after using the cleaner, and dry it with a soft cloth.
- Do not use any alcohol or citric based cleaners on the surface. Avoid leaving any hot objects on the surface of the bath.

While we make every effort to provide accurate specifications at the time of publication, Vellano retains the right to make modifications without prior notice. Please note that the physical color of the product may vary from the image shown. All measurements are presented in millimeters. When marking up and roughing in, always refer to the physical product measurements, as technical drawings may differ from the actual physical products.

