

Minca.

1500mm Freestanding Bath

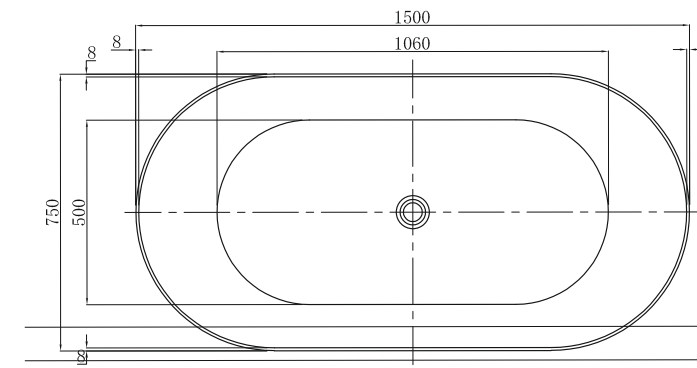
Features:

- Bath manufactured from 100% Crosslinked Acrylic Sheet
- Gloss White Finish
- Resistance to UV and Chemical Exposure
- Complete with Heavy Duty Robust Frame with adjustable levelling feet
- 8mm thin edge
- 10 Year Product Warranty
- Gross Weight: 41KG
- Litre Capacity: 238L

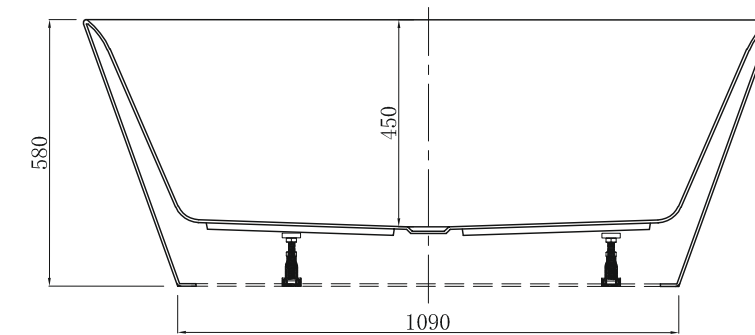


akuna™

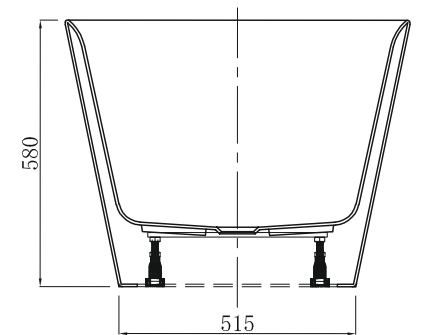
Specifications



Top View



Front View



Side View

Available in:



Gloss White
MIN1500FB



Cleaning & Care:

- Wipe the surface gently with a clean, soft cloth to remove everyday smudges and stains. For general cleaning, use a mixture of mild dish soap and warm water and with a soft cloth for the top.
- If there are stubborn stains or grime, use a non-abrasive bathroom cleaner that is safe for the surface material. Rinse the surface thoroughly with water after using the cleaner, and dry it with a soft cloth.
- Do not use any alcohol or citric based cleaners on the surface. Avoid leaving any hot objects on the surface of the bath.

While we make every effort to provide accurate specifications at the time of publication, Vellano retains the right to make modifications without prior notice. Please note that the physical color of the product may vary from the image shown. All measurements are presented in millimeters. When marking up and roughing in, always refer to the physical product measurements, as technical drawings may differ from the actual physical products.