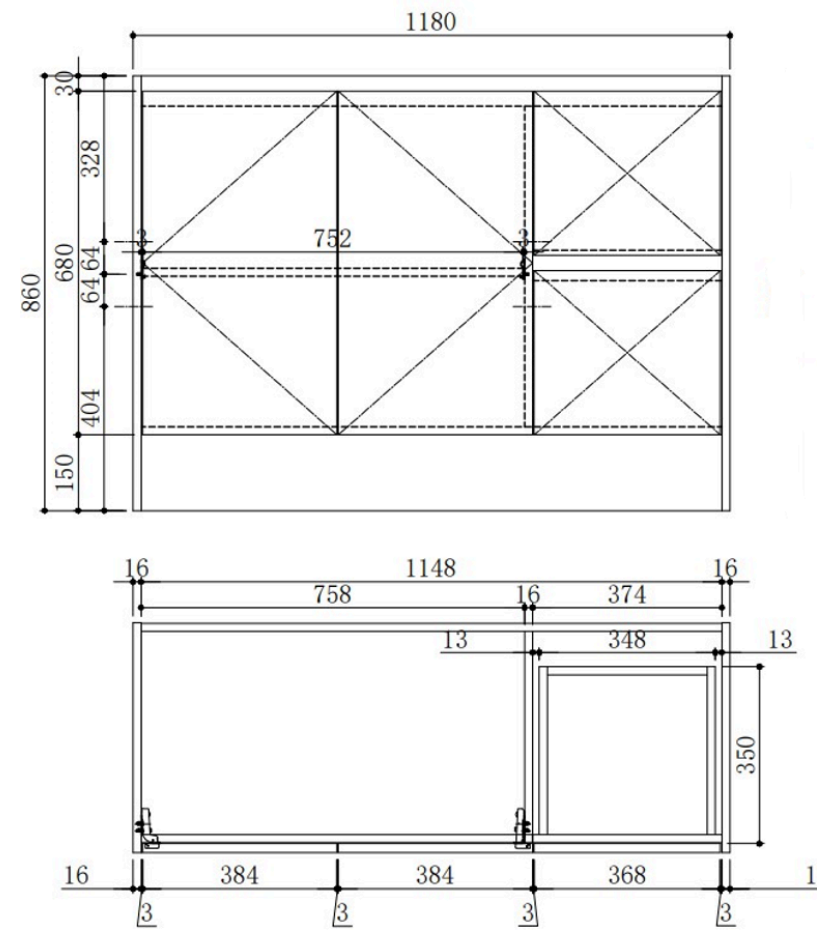


# Akala 1200.

## With RH Drawers Cabinet Only

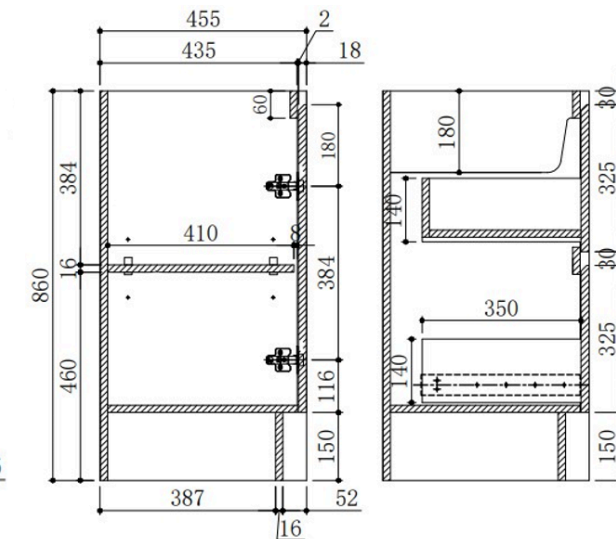
### Features:

- Cabinet Manufactured from E1 HMR Board
- Top manufactured from Vitreous China
- Gloss White Finish
- Soft Close Doors and Drawers
- RH Drawers
- 5 Years Product Replacement Warranty
- Dimensions: 1210 x 460 x 860 mm H



akuna™

### Specifications



### Available in:



Gloss White

**AKA1200RHGWCAB**

### Cleaning & Care:

- Wipe the surface gently with a clean, soft cloth to remove everyday smudges and stains. For general cleaning, use a mixture of mild dish soap and warm water and with a soft cloth
- Any visible signs of water sitting on the surface of the cabinet, remove immediately as water will damage the cabinet if left on the surface to dry.
- Do not use any alcohol or citric based cleaners on the surface. Avoid installing the product close to a water source such as a open shower or bath.

While we make every effort to provide accurate specifications at the time of publication, Vellano retains the right to make modifications without prior notice. Please note that the physical color of the product may vary from the image shown. All measurements are presented in millimeters. For ceramic products, we kindly ask you to allow for a manufacturing variance of up to  $\pm 10$ mm. When marking up and roughing in, always refer to the physical product measurements, as technical drawings may differ from the actual physical products.